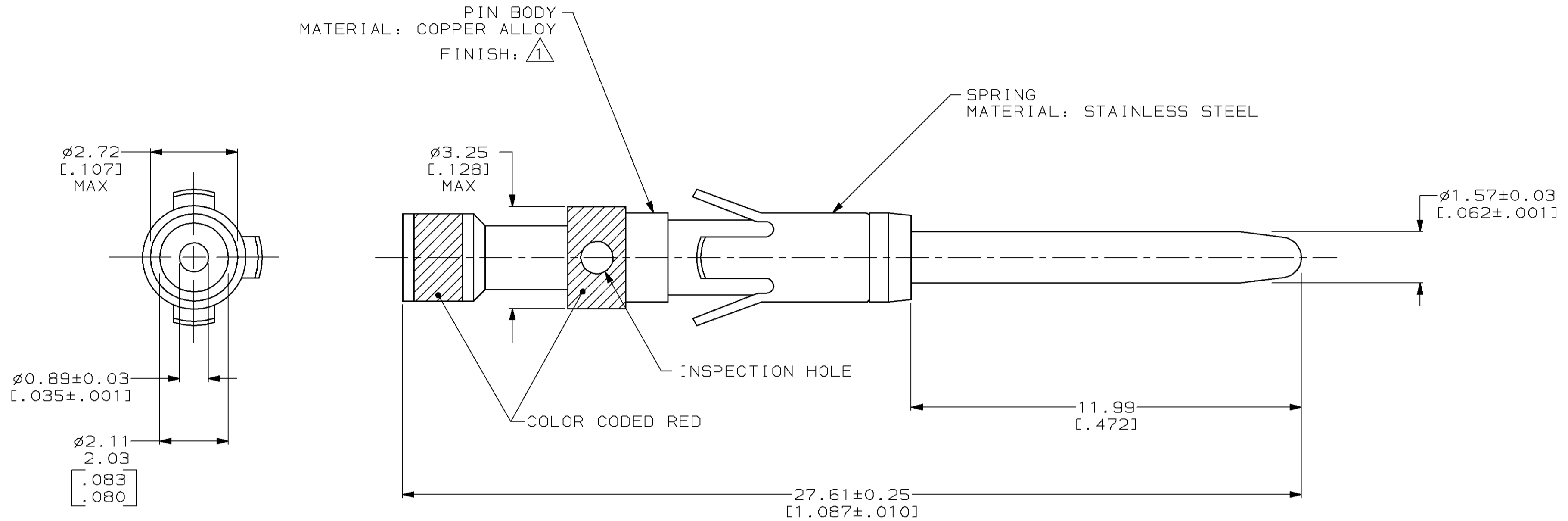


THIS DRAWING IS UNPUBLISHED. RELEASED FOR PUBLICATION  
 BY AMP INCORPORATED. ALL RIGHTS RESERVED.

LOC		DIST		REVISIONS			
P	LTR	DESCRIPTION	DATE	DWN	APVD		
FT	8	S	REDRAWN W/O CHANGE PER EC 0320-98-96	20 NOV 97	-	-	



$\triangle 1$  0.76 $\mu$ m [.000030] MIN GOLD OVER 1.27 $\mu$ m [.000050] MIN NICKEL.

201334-1  
 PART NUMBER

THIS DRAWING IS A CONTROLLED DOCUMENT.		DWN	20 NOV 97	AMP Incorporated Harrisburg, PA 17105-3608			
DIMENSIONS:		CHK	09 DEC 97				
mm [INCHES]		APVD	16 DEC 97				
TOLERANCES UNLESS OTHERWISE SPECIFIED: 0 PLC $\pm$ - 1 PLC $\pm$ - 2 PLC $\pm 0.13$ [.005] 3 PLC $\pm$ - 4 PLC $\pm$ - ANGLES $\pm$ - FINISH $\pm$ -		NAME	G. STEINHAUER				
MATERIAL		PRODUCT SPEC	-	CONTACT ASSEMBLY, PIN, #16, 24-28AWG, TYPE II			
SEE CALLOUTS		APPLICATION SPEC	-	SIZE	CAGE CODE	DRAWING NO	RESTRICTED TO
SEE CALLOUTS		WEIGHT	-	A2	00779	201334	-
CUSTOMER DRAWING		SCALE	10:1	SHEET	1 OF 1	REV	5

201334